

RDX® QuadPAK™

Professional Rack Mount Kit for RDX QuikStor Drives

The Tandberg Data RDX QuadPAK provides an easy to use and highly affordable rackmount solution for RDX customers. The RDX QuadPAK allows up to 4 RDX external drives to be securely installed in a 19" rack to simplify backup and restore operations. This enables RDX to coexist with other IT equipment like servers, disk systems and network components in one rack.

RDX QuikStor Rack Mount Integration

When utilizing RDX drives in a datacentre, there was always the question where to place them into the existing server rack. So external RDX drives often have been arranged on top of the servers, where they could get out of place. Also cabling could not be properly installed. The QuadPAK 1.5U rack mount kit is the solution for integrating up to four external RDX USB 3.0 drives in a professional manner in your 19" rack cabinet.

Why Four Drives?

- Multiple Servers, Media Spanning, Media Rotation -

The RDX QuadPAK allows to install up to four servers with their own RDX drive for backup, disaster recovery or data exchange. Furthermore, the possibility to install multiple RDX drives enables enhanced functionalities like media spanning or media rotation. Backup can easily be extended to multiple media (if feature is supported in backup software). In addition also media rotation can be established. So backups could be performed on different media for disaster recovery without user interaction.

Easy Installation and Easy Handling

The RDX QuadPAK rackmount solution is 1.5U high and allows up to four RDX external drives to be securely installed in a 19" rack. The RDX QuadPAK is easy to install and use, additional RDX drives can be added or removed in seconds by loosen two thumbscrews, allowing customers to increased backup capacity and performance when then need it most. As RDX QuadPAK does not contain an internal power supply, power to the RDX external drives is provided via the existing RDX external power supplies. The RDX QuadPAK includes a cable restraint to prevent the USB interface or power cable from being accidentally disconnected.

Note: RDX QuadPAK rackmount solution supports only Tandberg Data RDX QuikStor external drives. Drives must be ordered separately.



QuadPAK™

Key Benefits

== RDX Rackmount Solution

Best value solution for utilizing RDX within a 19" rack.

== Scalability

Install up to 4 RDX external drives, increasing capacity and performance.

== Flexibility

If multiple RDX drives are installed, media spanning and media rotation can be easily established.

== Usability

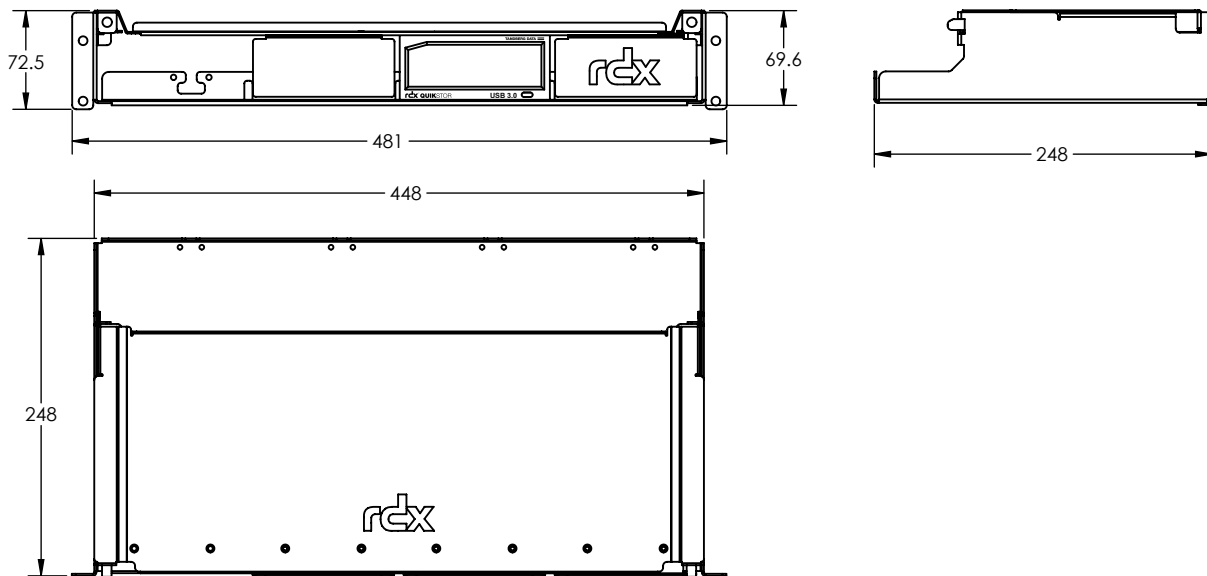
Add or remove RDX drives in seconds, all screws and parts are accessible from the front. No need to pull QuadPAK outside the rack.

== Compatibility

Compact design fully compatible with all 19" racks.

Specifications	RDX QuadPAK
Compatibility	Compatible to all external Tandberg Data RDX QuikStor drives*
Number of installable RDX drives	1 - 4
Enclosed accessories	3 bezels, bezel screws, rack mount screws, zip ties
Formfactor	1.5U, 19" rack cabinet
Dimension (HxWxL)	
Physical	72.5mm x 481mm x 248mm (2.85in x 18.94in x 9.45in)
Package	150mm x 615mm x 350mm (5.9in x 24.22in x 13.78in)
Weight	
QuadPAK	2.66kg (5.86lbs)
Shipping weight	4.2kg (9.26lbs)

* RDX external drives must be ordered separately



DS-RDX_QuadPAK_US_2014

Overland Storage
 9112 Spectrum Center Blvd.
 San Diego, CA 92123
 USA
 Tel: (858) 571-5555
 Fax: (858) 571-3664
sales@overlandstorage.com
www.overlandstorage.com

Tandberg Data U.S.
 10225 Westmoor Dr., Ste. 125
 Westminster, CO 80021
 USA
 Tel: (800) 392-2983 Toll Free
 Fax: (303) 417-7170
sales@tandbergdata.com
www.tandbergdata.com/us

Tandberg Data EMEA
 Feldstrasse 81
 44141 Dortmund
 Germany
 Tel: 00 800 8263 2374 (00 800 TANDBERG)
 Fax: +49 (0) 231 5436 - 111
salesemea@tandbergdata.com
www.tandbergdata.com/emea

Tandberg Data APAC
 8 Cross Street, #28-00
 PWC Building
 Singapore 048424
 Tel: (65) 6850 7820
 Fax: (65) 6850 7889
salesapac@tandbergdata.com
www.tandbergdata.com/apac